

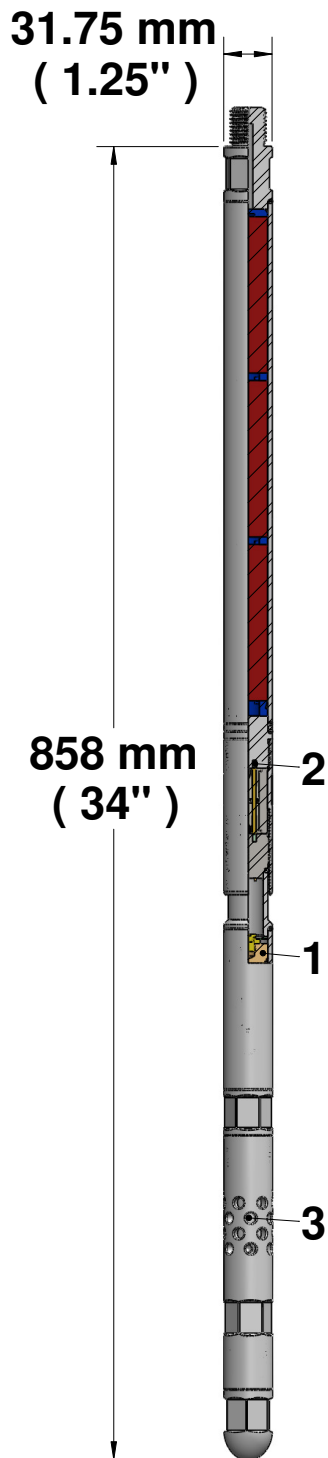


KCHT 200C Quartz Memory Gauge

1.25" (31.75mm) Outer Diameter

KCHT Features:

- Reliable 200°C Operation
- Embedded Circuit Cooling System (1)
- Hermetically Sealed Battery Pack (2)
- Improved Temperature Response (3)
- User Friendly Software with Data Management



Specifications	Pressure	Temperature
Accuracy	0.021% F.S.	0.2°C
Resolution	0.0003% F.S.	0.0001°C
Drift	0.02%	0.02%/year
Transducer	Quartz	
Battery Type	Lithium	
Battery Capacity	16Ah	
Battery Voltage	3.6V	
Battery Life	1 month ^[1]	
Memory Capacity	1 175 552 samples ^[2]	
Sample Rate	1 sample/second to 1 sample/hour	
Housing Material Type	17-4 Stainless Steel or Inconel	
External Connection	Amerada or Sucker Rod	

[1] Based on average use and results from long term testing.

[2] Upgradeable to 2 519 040 samples upon request.

Pressure psi (kPa)	Max. Temperature °C (°F)	Part No.
0-5000 (34 474)	204 (400)	N/A
0-10000 (68 947)	204 (400)	N/A
0-16000 (110 316)	204 (400)	P-1854
0-20000 (137 895)	204 (400)	P-1855
0-25000 (172 368)	204 (400)	P-1856
0-30000 (206 842)	204 (400)	P-1857

Accessories	Part No.
USB Communication Module	P-1813
KCHT Sucker Rod Comm. Connector	M-1814
KCHT Amerada Comm. Connector	M-1815
KCHT 316ss Crossover - Amerada Pin	P-1858
KCHT 316ss Bullnose	P-1859
KCHT 316ss Crossover - Sucker Rod Pin	P-1860
KCHT Case Assembly	M-1862
Lithium Grease	M-1817
1 1/6 Wrench	M-1818